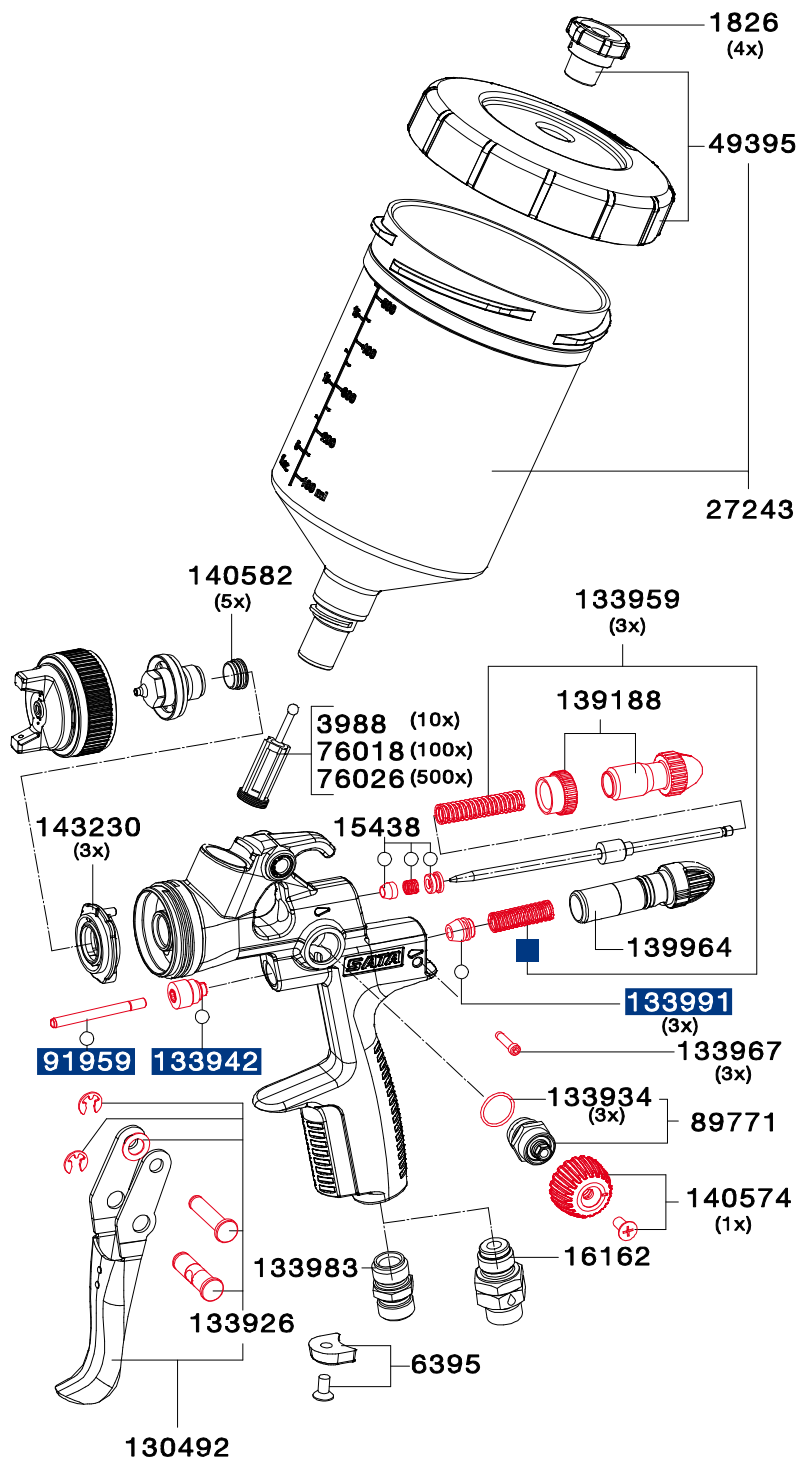


# Spare Parts SATAjet® 100 B

Art. No./Descr.
1826
Anti-drip device (packing unit 4 pieces)
3988
Paint strainer, 300 µm (packing unit 10 pieces)
6395
CCS Clips, green, blue, red, black (packing unit 4 pieces)
15438
Paint needle packing
25874
O-ring
27243
0.6 l QCC reusable plastic cup, cpl.
49395
Screw-on lid for 0.6 l PVC cup with drip-catching ring and non-drip device
76018
Paint strainer, 300 µm (packing unit 100 pieces)
76026
Paint strainer, 300 µm (packing unit 500 pieces)
78154
Closing cap
89771
Spindle, cpl., f. round / flat spray control SATAjet 2000 HVL
91959
Air piston rod
130492
Trigger kit
133926
Trigger sleeve kit
133934
Sealing (packing unit 3 pieces) for spindle
133942
Seal retainer, cpl.
133959
Pressure spring (3 pieces) for paint needle and air piston
133967
Adjustment screw (packing unit 3 pieces) for air micrometer
133983
Air connection piece 1/4" male thread
133991
Air piston head (packing unit 3 pieces)
139188
Material flow control with counter nut
139964
Air micrometer
140574
Control knob with screw
140582
Sealing element (packing unit 5 pieces) for fluid tip
143230
Air distribution ring (packing unit 3 pieces)



All prices are recommended list prices. Errors, technical modifications and printing errors reserved.

Art. No./Descr.
9050
<b>Tool kit</b>
· Extraction tool
· Paint strainer
· Cleaning brush
· Allen wrench 2 mm width
· Allen wrench 4 mm width
· Universal spanner

Art. No./Descr.
130542
<b>Repair kit</b>
92759
<b>Air piston service unit</b>
○ 183780
<b>Sealing kit</b>