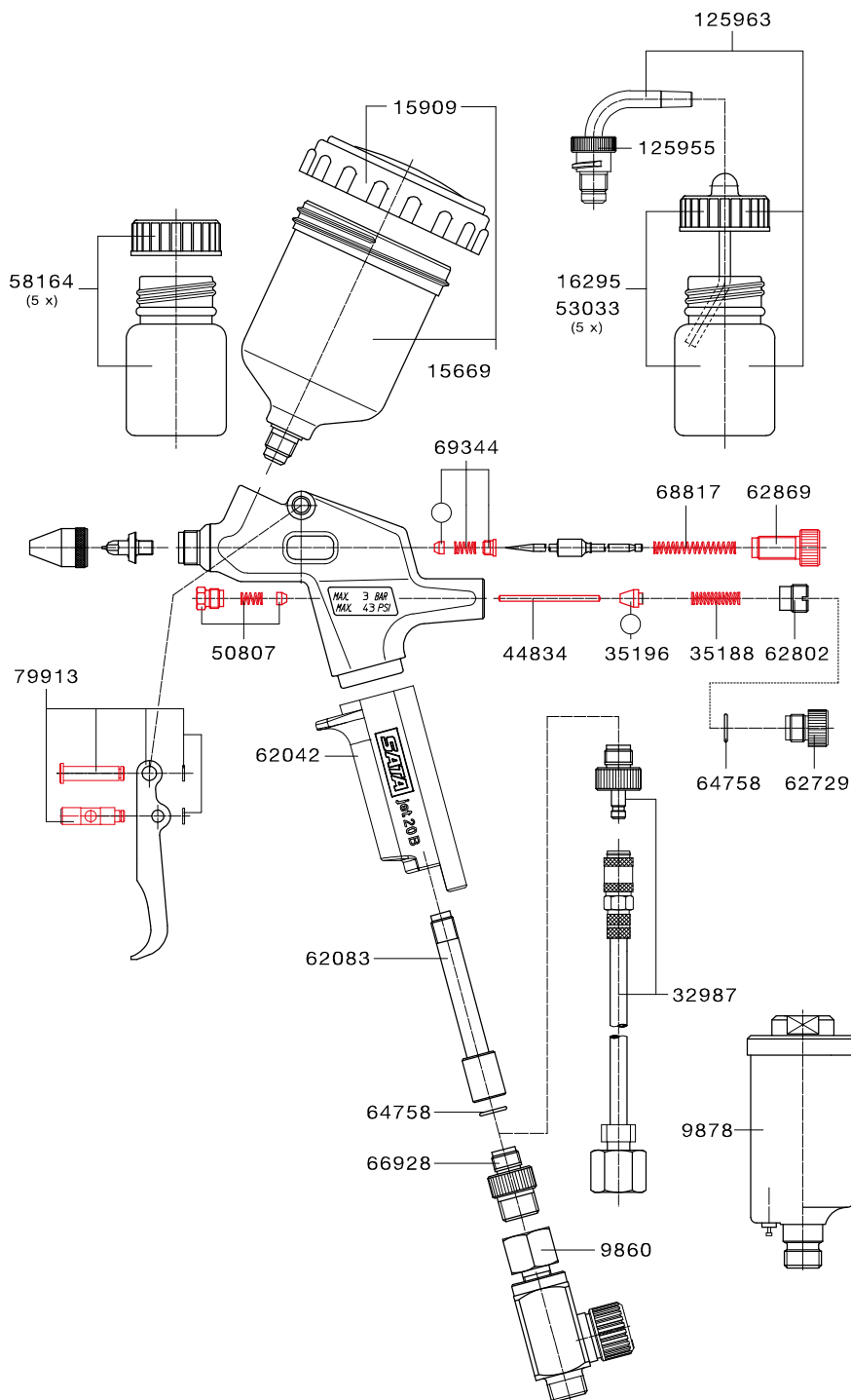


Spare Parts SATAjet® 20 B

Art. No./Descr.
9860 SATA air micrometer 0-845, 1/4" (male thread) and G 1/4" (female thread)
9878 SATA mini filter 1/4" (male thread)
15669 65 ml PVC reusable cup, cpl.
15909 PVC screw-on lid 65 ccm PVC cup SATAjet 20 B, dekor 2000
16295 25 ml glass cup with plug-in cup
32987 SATA PVC compressed air hose, transparent, 3 m long with G 1/4" (female thread), mini quick coupling and nipple
35188 Pressure spring for air piston
35196 Air piston head
44834 Air piston rod
50807 Service unit air piston SATAjet 20 B, dekor 2000, minijet 3 HVLP
53033 25 ml glass cup with plug-in cup (packing unit 5 pieces)
58164 25 ml glass cup with blind lid (packing unit 5 pieces)
62042 Spray gun handle SATAjet 20 B, dekor 2000
62083 Air pipe
62729 Closing screw SATAjet 20 B, dekor 2000
62802 Compression screw 1/8" (male thread)
62869 Material flow control screw
64758 O-ring
66928 Air connection 1/8" (male thread) - 1/4" (male thread)
68817 Pressure spring for paint needle
69344 Paint needle packing
79913 Trigger kit
125955 Plug-in cup connection with QCC SATAjet 20 B, dekor 2000, minijet 3000 B HVLP, minijet 4 HVLP
125963 25 ml glass cup with plug-in lid (packing unit 5 pieces) and QCC plug-in connection (packing unit 1 piece)



All prices are recommended list prices. Errors, technical modifications and printing errors reserved.

Art. No./Descr.
9373 Tool kit
<ul style="list-style-type: none"> • Cleaning brush • Universal spanner • Hexagonal screwdriver

Art. No./Descr.
91165 Repair kit
69427 Sealing kit